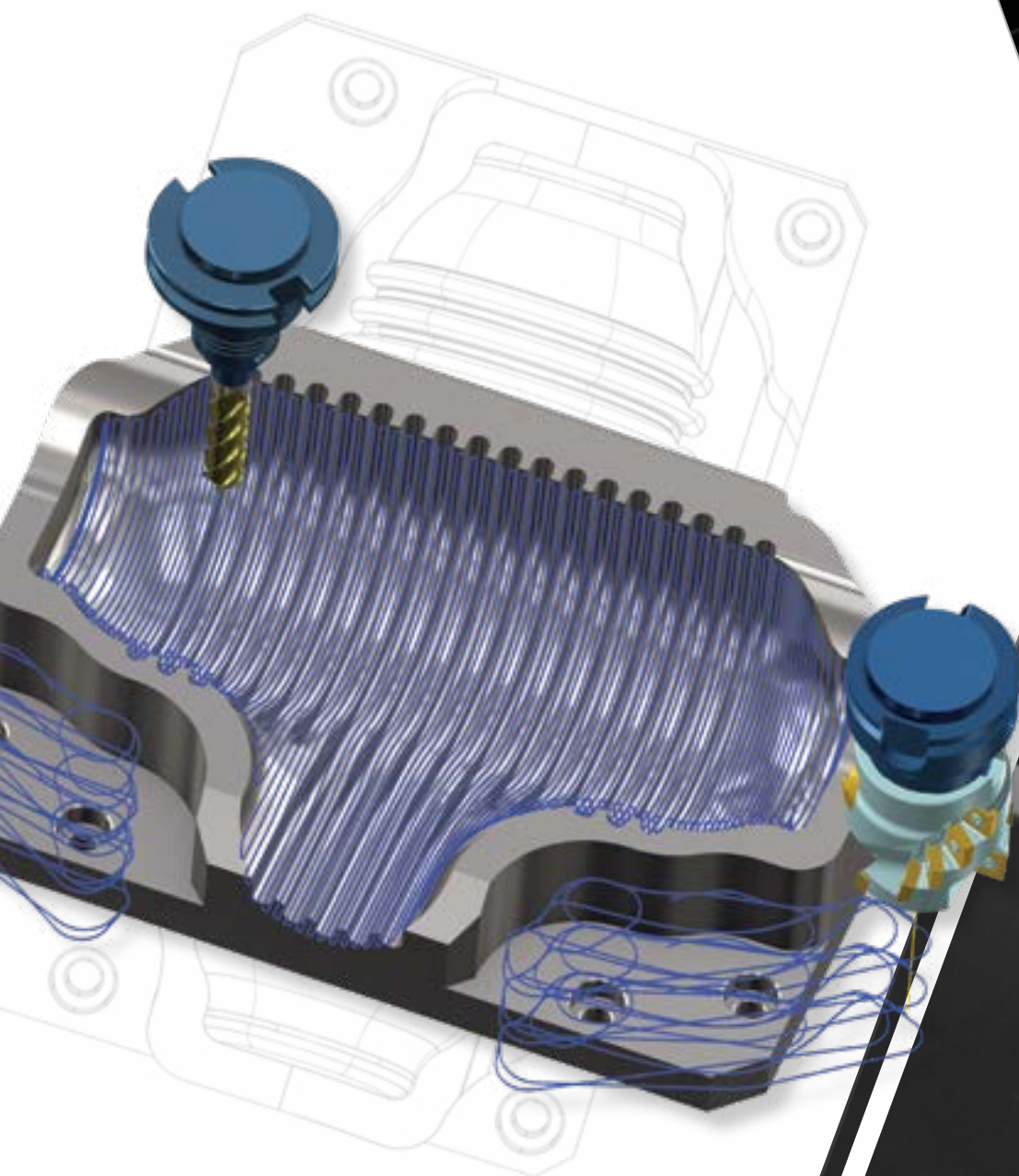


Mastercam.

MILL

Mastercam Mill delivers CAD/CAM power and control with an intuitive programming interface.

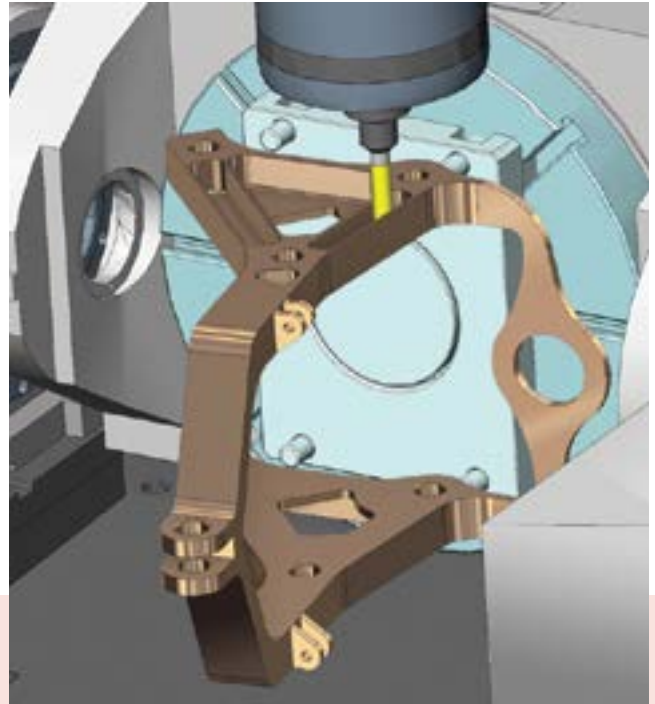


PRECISION AND EFFICIENCY FROM DESIGN THROUGH THE PRODUCTION LINE

Outperform your expectations.

Mastercam gives you the power to drive your CNC equipment with precision and efficiency. Our toolpaths help your machines achieve a reliable, efficient, smooth, and accurate motion. Part quality, extended tool life, and repeatability — even the longevity of your machines — are directly related to this motion.

Mastercam's active Stock Model, Toolpath Verification, and Simulation mean increased confidence on every project. Tool library support, including CoroPlus® and MachiningCloud, helps you make tooling decisions fast.



IT ALL ADDS UP TO SAVINGS

"Dynamic Motion takes all the material away in one simple, continuous, non-stop, uninterrupted cut. Not only does that make better parts faster, because it's not lifting, stopping, and starting again, but it also extends the life of the tool."

James Nunn, Owner, Machine Nunn

Flexible, expandable, and connected.

Comprehensive toolpath strategies provide multiple approaches for programming any part, regardless of complexity. Modify any element, and toolpaths are updated, eliminating rework.

Build libraries of your favorite machining strategies. Choose customized operations, apply them to your next job, and reduce your programming time. With interfaces to digital tool libraries and other manufacturing software, Mastercam ensures you are ready for the next digital revolution. Fast, easy, productive — the way programming should be.

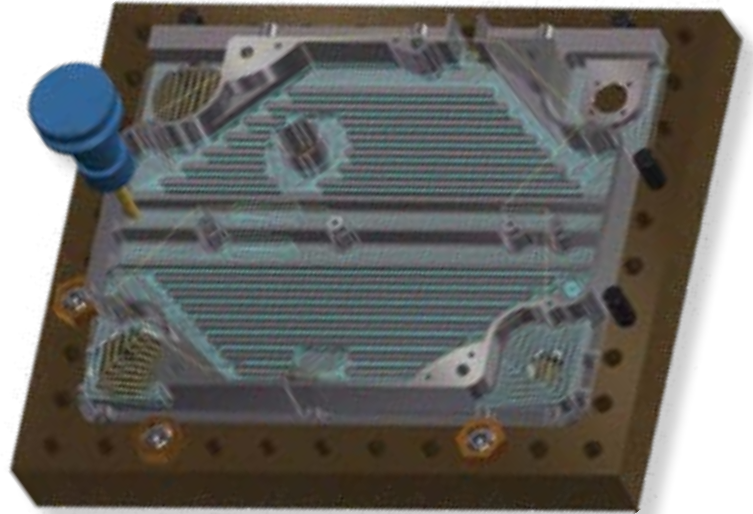
Mastercam Mill has been shop-tested more than any CAM program in the world. You can count on Mastercam for real-world, proven results.



2D MILLING

From simple to complex, Mastercam Mill's 2D machining capability delivers the tools you need to compete.

- 3D power for your 2D parts — fast, automated 3D Dynamic OptiRough is included in all Mill products (Entry excluded).
- Feature Based Machining (FBM) automatically programs prismatic solid features like drill holes, contours, and pockets.
- Easy, safe, highly-automated hole making.
- Precision chip control for a wide set of tools, plus specialized tool support including ISCAR®'s High Efficiency Machining (HEM) tool set and more.



Mastercam's 2D toolpaths deliver easy and optimized pocketing, contouring, drilling, facing, and much more.

Dynamic Motion powers much of our 2D solutions. It allows you to maximize your material removal rate to minimize cycle time.

TRIM YOUR PRINT-TO-PART TIMELINE

"For 2D users — those that do a lot of pocketing and contouring — Dynamic OptiRough is a game changer for programming prismatic parts. Previously only available to 3D users, this toolpath lets you rough an entire prismatic solid part fast, in one operation instead of individual roughing, pocketing, and contouring toolpaths. It's an incredible time saver."

Jesse Trinique, Sales Engineer II, Mastercam





3D MILLING

Mastercam provides unsurpassed control on surface cuts, delivering superior finishes and optimized cycle times.

- Stock-aware roughing, remachining, semi-finishing, and finishing ensure precision parts.
- Mastercam's Dynamic Motion technology powers dramatically efficient roughing.
- Constant scallop machining maintains a consistent finish on sloped and flat surfaces.
- Constant-Z rest milling (remachining) identifies and machines areas needing a smaller tool.
- Smart control over motion between cuts for smooth, efficient results.
- Hybrid finishing creates a single toolpath that changes cut methods as the slope changes.

Cut multiple surfaces, solid models, and mesh data — our refined 3D toolpaths give you a smooth, precision finish to please even your toughest customers.

The proof of any CAM software is what comes off the machine. Mastercam is crafted to help you get the best possible finish in the shortest amount of time.

MASTERCAM'S SPECIALIZED ADD-ONS

Often, that one additional CAD or CAM tool makes a specific job easier, faster, and more profitable. If you need very specialized options to precisely match your customer, your workflow, or your products, Mastercam Add-Ons can help.



Port Expert

Create precision engine cylinder head porting toolpaths on surface or solid data, while minimizing unnecessary motion.



Blade Expert

Highly efficient toolpaths for multibladed parts, delivering superior blades, splitters, floors, and fillets.



ProDrill

Automatically detect, group, and apply drill strategies to large amounts of holes, and automatically create tool definitions from existing geometry.



5-Axis Curve Machining and Drilling

A targeted and powerful multiaxis technique that adds extra flexibility to your milling; can be upgraded to the full Multiaxis product.



Mastercam Productivity+™

Brings Renishaw® in-process probing and inspection to your Mastercam programs. Easily set up, validate, and even make in-process adjustments where appropriate.



Art

Quickly bring your 2D sketches, clip art, photos, and CAD files to life by crafting them on-screen and cutting them with easy, specialized toolpaths.



APlus®

Designed for additive manufacturing (AM) using Direct Energy Deposition (DED). APlus has toolpaths developed specifically to handle any geometry in AM, as well as features and utilities designed to remove uncertainty out of the process and to improve efficiency.